



GEM FOOT SWITCH

LINEMASTER® is pleased to present the one of a kind GEM foot switch series. This omni-directional foot switch solution has a sleek design that makes actuation of the foot switch a breeze for the end user. The robust die cast housing and polymeric material cover promote a long life without sacrificing looks. The GEM is seen widely in both the medical and industrial markets, most noticeably in the tattoo and electro-surgical fields. Offered with a vinyl cover for environmental protection against limited amounts of fluids. This switch is a stylish and reliable choice for anyone. Only from LINEMASTER® - American made innovation at work.

LIT-051 Rev. C



LINEMASTER Switch Corporation
Tel (860) 974-1000

29 Plaine Hill Rd, P.O. Box 238
Woodstock, Connecticut 06281-0238 USA
Fax (800) 974-FOOT(3668)

www.linemaster.com

GEM FOOT SWITCH

FEATURES

- Mounted in a chrome plated heavy zinc die cast housing
- Full non-skid base pad
- Round black plastic actuating cap
- Moderate pressure from any direction operates the switch
- A special vinyl cover gives added environmental protection against limited amounts of water
- Silk screening is available
- Special wiring channel with or without side protectors available
- European type foot switch is offered pre-wired with 3 conductor cordset having brown, blue, and green/ yellow colored leads. It is a momentary contact and wired normally open with green/yellow lead grounded to the switch base



GEM V SERIES

SIZE (Dia x H): 3.81 x 1.30 In.

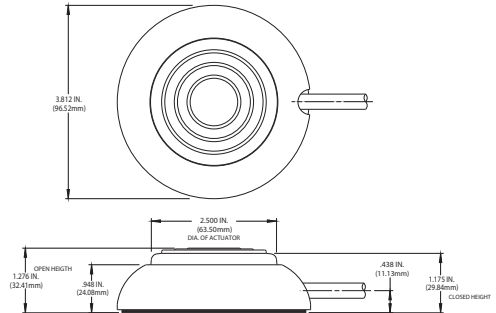
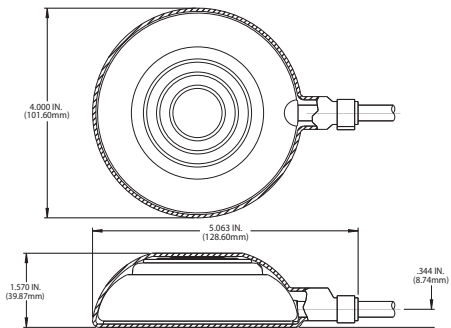
WEIGHT: 1.00 lbs.



GEM VK SERIES

SIZE (Dia x H): 5.06 x 1.57 In.

WEIGHT: 1.50 lbs.



AGENCY APPROVALS	EN 60529 DEGREE OF PROTECTION	CATALOG NUMBER	DESCRIPTION	CIRCUIT	FORM	ELECTRICAL RATINGS
c UL US	IP21	GEM-VK3 ¹	Momentary / Vinyl Cover	SPST Wired N.O.	A	10 A 125 VAC 1/2 H.P. 125 VAC
c UL US CE	IP21	GEM-VK36 ²	Momentary / Vinyl Cover	SPST Wired N.O.	A	10 A 125-250 VAC 1/2 H.P. 125-250 VAC
c UL US CE	IP20	GEM-VCEA ³	Momentary	SPST Wired N.O.	A	10 A 125-250 VAC 1/2 H.P. 125-250 VAC
c R US	IP20	GEM-V2	Momentary	SPDT	C	15 A 125-250 VAC 1/2 H.P. 125-250 VAC
c UL US	IP20	GEM-V3 ¹	Momentary	SPST Wired N.O.	A	10 A 125 VAC 1/2 H.P. 125 VAC
c UL US CE	IP20	GEM-V36 ²	Momentary	SPST Wired N.O.	A	10 A 125-250 VAC 1/2 H.P. 125-250 VAC

¹ Supplied with a 6 ft. 18/3 cord and 3 prong series plug. Green lead grounded. ² Supplied with 6 ft. 18/3 cord without plug. Green lead grounded. ³ Supplied with 2 meter 18/3 brown, blue & green/yellow leads.