



HERCULES ANIT-TRIP FOOT SWITCH

The Hercules Anti-Trip Foot Switch takes our standard Hercules to a new level. With the added anti-trip lever and/or gate the user will have that extra sense of security that the foot pedal will not be mistakenly actuated. The Hercules Anti-Trip models can be used on a wide variety of machinery including press brakes, material handling equipment, and man lifts. This rugged switch was designed to last even in the harshest environments. Step on reliable foot switch that you can trust each and every time. Only from LINEMASTER® - American made innovation at work.

LIT-033 Rev.C



LINEMASTER Switch Corporation
Tel (860) 974-1000

29 Plaine Hill Rd, P.O. Box 238
Woodstock, Connecticut 06281-0238 USA
Fax (800) 974-FOOT(3668)

www.linemaster.com

HERCULES ANIT-TRIP FOOT SWITCH

FEATURES

- Switch operation requires that the latch trip lever be released prior to depressing the foot treadle as in-line foot pressure is applied to the latch trip lever located in the rear of the foot treadle
- Smooth trip lever release and treadle depression motion results in good rate of operation
- Treadle and base constructed from cast iron for strength and durability
- Protected by a strong cast aluminum shield
- Painted Alert Orange (Custom colors available upon request)
- Single 3/4"-14 N.P.T. threaded conduit entry is standard
- Oversized "O" and "OX" shield models accept oversized safety shoes and metatarsal foot guards. The "OX" shield has an additional 3/4" (19.1 mm) opening height as compared to the "O" shield
- Special twin & triple models available to the O.E.M. on special order
- Special dual 1/2"-14 N.P.T. threaded conduit entry and metric sizes available to the O.E.M. on special order
- All models have a neoprene cover gasket plus o-rings on the activating shaft and a separate ground screw
- Advanced design helps prevent accidental actuation
- Anti-skid rubber feet and 3 holes for rigid mounting to floor or equipment



FULL SHIELD

SIZE (Dia x H): 3.81 x 1.30 In.

WEIGHT: 1.00 lbs.



GATED "O" SHIELD

SIZE (Dia x H): 5.06 x 1.57 In.

WEIGHT: 1.50 lbs.



"O" SHIELD

SIZE (Dia x H): 3.81 x 1.30 In.

WEIGHT: 1.00 lbs.



GATED "OX" SHIELD

SIZE (Dia x H): 5.06 x 1.57 In.

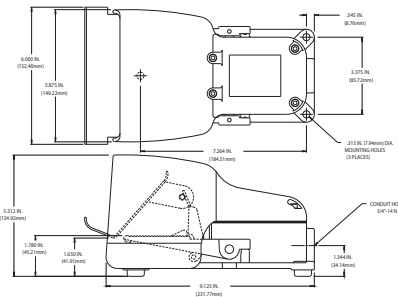
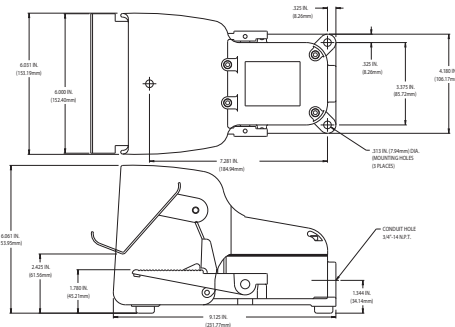
WEIGHT: 1.50 lbs.



"OX" SHIELD

SIZE (Dia x H): 5.06 x 1.57 In.

WEIGHT: 1.50 lbs.



Hercules Anti-Trip Gated "OX" Shield

Hercules Anti-Trip Gated "O" Shield

AGENCY APPROVALS	EN 60529 DEGREE OF PROTECTION	FULL SHIELD ANTI-TRIP	"O" SHIELD ANTI-TRIP	"OX" SHIELD ANTI-TRIP	"O" SHIELD ANTI-TRIP GATED	"OX" SHIELD ANTI-TRIP GATED	DESCRIPTION	STAGE	CIRCUIT	FORM	ELECTRICAL RATINGS
	IP56	511-B	511-BO	511-BOX	511-BG	511-BOXG	Momentary	Single	SPDT	C	20 A 125-250 VAC 1 H.P. 125-250 VAC Heavy Pilot Duty 250 VAC Max.
	IP56	511-B2 ¹	511-B2O ¹	511-B2OX ¹	511-B2G ¹	511-B2OXG ¹	Momentary	Single	DPDT	C	
	IP56	511-B2A	511-B2OA	511-B2OXA	511-B2GA	511-B2OXGA	Momentary	Two	SPDT	C	
	IP56	-	511-B2OAC2 ²	-	-	-	Momentary	Two	SPDT	C	
	IP56	511-B3	511-B3O	511-B3OX	511-B3G	511-B3OXG	Momentary	Single	SPDT DB ²	Z	15 A 125-250 VAC 1/2 H.P. 125-250 VAC 1 H.P. 250 VAC Heavy Pilot Duty 250 VAC Max.
	IP56	511-B4 ¹	511-B4O ¹	511-B4OX ¹	511-B4G ¹	511-B4OXG ¹	Momentary	Single	DPDT DB ²	Z	
	IP56	511-B4A	511-B4OA	511-B4OXA	511-B4GA	511-B4OXGA	Momentary	Two	SPDT DB ²	Z	

¹ One pole of these models has an adjustable actuating mechanism that enable you to make or break one pole before the other. EXAMPLE: You can break the N.O. circuit long before you would remake a N.C. circuit in a 511-B2. ² DB Double Break models must be wired to equal voltage sources and the same polarity. The loads should be on the same sides of the line. ³ "C2" designates dual 1/2"-14 N.P.T. conduit entry