



PREMIER FOOT SWITCH

LINEMASTER® introduces the stylish Premier foot switch. This low profile switch was designed as a circular foot print giving the end user the ability to operate the switch from any point on the cover. Commonly seen being used on material handling equipment and in tattoo shops, the Premier is very versatile and offers the user a reliable, long life foot switch solution. Available with a nickel chrome cover or special paint finish per the customer's requirements. Waterproof and Airval models of the Premier are also available on special order. This omnidirectional switch is convenient and great choice. Only from LINEMASTER® - American made innovation at work.

LIT-050 Rev. C



LINEMASTER Switch Corporation
Tel (860) 974-1000

29 Plaine Hill Rd, P.O. Box 238
Woodstock, Connecticut 06281-0238 USA
Fax (800) 974-FOOT(3668)

www.linemaster.com

PREMIER FOOT SWITCH

FEATURES

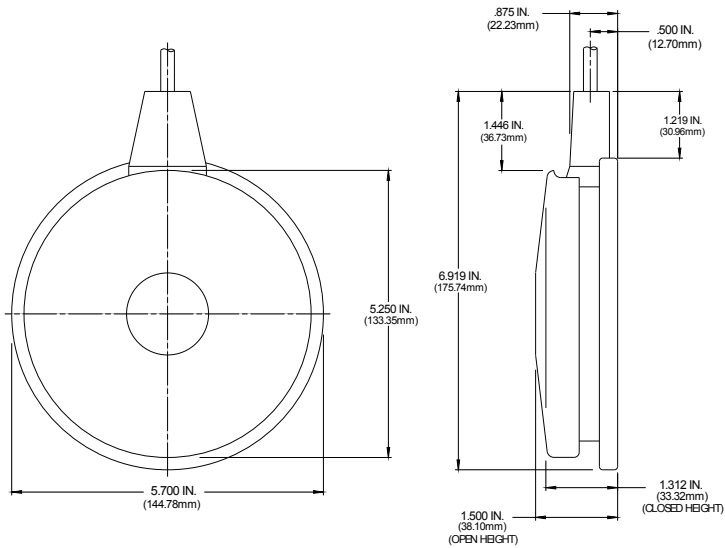
- Round nickel chrome cover
- Heavy gauge steel baseplate
- Stain resistant black nitrile nonskid base pad
- Cable shroud that provides additional flex protection for the cable
- Operates from any direction with moderate pressure
- Internal reversible cable clamp that accepts a wide range of cable sizes
- Custom paint finishes are available for cover
- AirVal models are available
- Waterproof to IP68 degree of protection available upon request



SINGLE

SIZE (Dia x H): 5.75 x 1.50 In.

WEIGHT: 2.00 lbs.



AGENCY APPROVALS	EN 60529 DEGREE OF PROTECTION	CATALOG NUMBER	DESCRIPTION	CIRCUIT	FORM	ELECTRICAL RATINGS
cUL US CE	IP20	P32-S	Momentary	SPDT	C	20 A 125-250 VAC 1 H.P. 125-250 VAC
cUL US	IP20	P31-SC3 ¹	Momentary	SPDT Wired N.O.	A	10 A 125-250 VAC 1/2 H.P. 125-250 VAC
cUL US CE	IP20	P31-SC36 ²	Momentary	SPDT Wired N.O.	A	10 A 125-250 VAC 1/2 H.P. 125-250 VAC

¹ Supplied with a 6 ft. 18/3 cord with 3 prong series plug. Green lead grounded. ² Supplied with a 6 ft. 18/3 cord without plug. Green lead grounded.